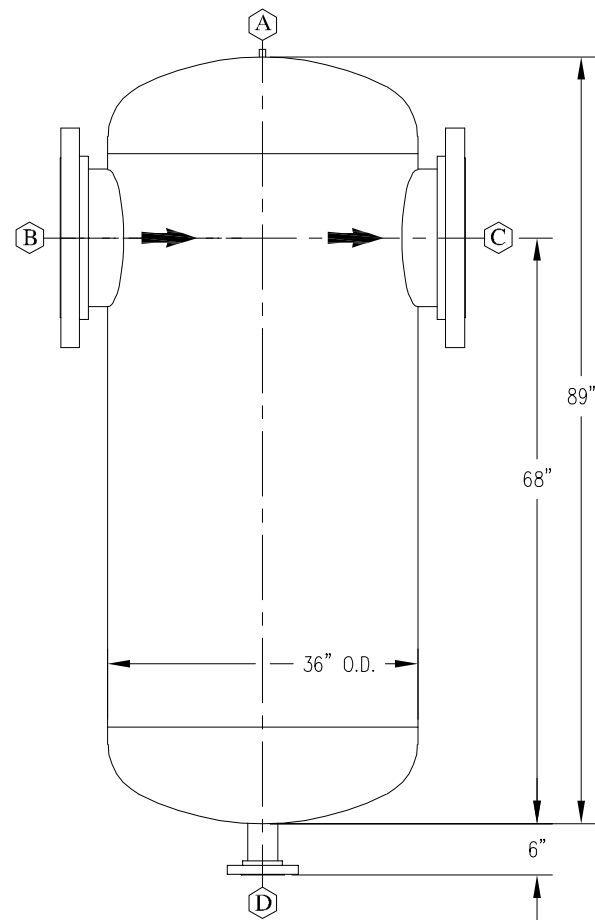


TOP ORIENTATION VIEW



DIMENSIONAL VIEW

| NOZZLE SCHEDULE |      |       |           |          |
|-----------------|------|-------|-----------|----------|
| MARK            | SIZE | SPEC  | NOZ. TYPE | FUNCTION |
| A               | 1/4" | 6000# | CPLG      | VENT     |
| B               | 16"  | 300#  | R.F.S.O.  | INLET    |
| C               | 16"  | 300#  | R.F.S.O.  | OUTLET   |
| D               | 3"   | 300#  | R.F.S.O.  | DRAIN    |


NOTE: 1. DESIGNED, FABRICATED, AND STAMPED IN ACCORDANCE WITH ASME CODE SECTION VIII, DIV. 1.

2. SEPERATORS AVAILABLE IN CARBON STEEL, 304 & 316 STAINLESS STEEL, OR OPTIONAL ALLOYS UPON REQUEST.

3. ALL DIMENSIONS ARE IN INCHES

4. APPROXIMATE WEIGHT T.B.D.

| REVISION: 0 |             |         |     |
|-------------|-------------|---------|-----|
| NO.         | DESCRIPTION | BY DATE | NO. |
|             |             |         |     |

|   |            |  |                    |   |                  |
|---|------------|--|--------------------|---|------------------|
| <b>CONSTRUCTION</b><br>A.S.M.E. SECTION VIII DIVISION I<br>A.S.M.E. U-1 STAMP REQUIRED  |            | <b>DIDION SEPARATOR COMPANY</b><br>A DIVISION OF<br><br><b>DIDION'S MECHANICAL</b><br>PH: (419) 483-2226<br>FX: (419) 483-4382<br>DESCRIPTION: HORIZONTAL FLOW SEPARATOR<br>MODEL#: DST-16-300<br>SALES DRAWING |                    | WEB: didionseparator.com<br>e-mail: dmec@didionsmech.com<br>NOT BIGGEST...BEST! |                  |
| <b>DESIGN SPECIFICATIONS</b>  |            | DRWN. JLD<br>DATE: 11-30-17<br>APPR.   |                    | DATE:   |                  |
| DES. PRESS.   | 500 PSIG   | FULL VACUUM  | YES                | CHK.  | DATE:            |
| DES. TEMP.  | 650° F.    | CORR. ALL.   | 1/16"              | SCALE:  | DRAWING NUMBER   |
| HYDR. TEST  | 650 PSIG   | STRESS REL.  | NONE REQ'D         | D.M. NO.  | DST-16-300-SALES |
| RADIOGRAPH  | NONE REQ'D | M.D.M.T  | -20° F. @ 500 PSIG | P.O. NO.  |                  |
|   |            |  |                    | REV.  | SHEET            |
|   |            |  |                    | 0   | NO. 1            |
|   |            |  |                    |   | OF 1             |
| THIS DRAWING AND ALL INFORMATION ON IT IS THE PROPERTY OF DIDION'S MECHANICAL. IT IS CONFIDENTIAL AND IS LOANED TO YOU FOR A LIMITED PURPOSE AND MUST BE RETURNED ON REQUEST. NEITHER THIS DRAWING NOR ANY PART OF IT NOR ANY INFORMATION CONCERNING IT MAY BE COPIED, EXHIBITED OR FURNISHED TO OTHERS NOR MAY PHOTOGRAPHS BE TAKEN OF ANY ARTICLE FABRICATED OR ASSEMBLED FROM THIS DRAWING WITHOUT CONSENT OF DIDION'S MECHANICAL. |            |  |                    |   |                  |