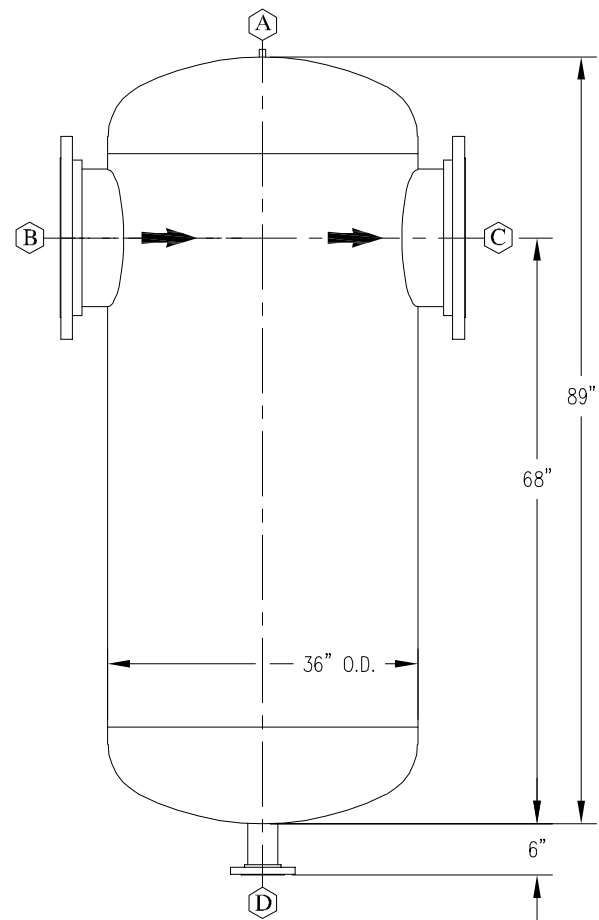


TOP ORIENTATION VIEW



DIMENSIONAL VIEW

NOZZLE SCHEDULE				
MARK	SIZE	SPEC	NOZ. TYPE	FUNCTION
A	1/4"	6000#	CPLG	VENT
B	16"	150#	R.F.S.O.	INLET
C	16"	150#	R.F.S.O.	OUTLET
D	3"	150#	R.F.S.O.	DRAIN


NOTE: 1. DESIGNED, FABRICATED, AND STAMPED IN ACCORDANCE WITH ASME CODE SECTION VIII, DIV. 1.

2. SEPERATORS AVAILABLE IN CARBON STEEL, 304 & 316 STAINLESS STEEL, OR OPTIONAL ALLOYS UPON REQUEST.

3. ALL DIMENSIONS ARE IN INCHES

4. APPROXIMATE WEIGHT T.B.D.

REVISION: 0			
NO.	DESCRIPTION	BY DATE	NO.

CONSTRUCTION A.S.M.E. SECTION VIII DIVISION I A.S.M.E. U-1 STAMP REQUIRED		DIDION SEPARATOR COMPANY A DIVISION OF  DIDION'S MECHANICAL PH: (419) 483-2226 WEB: didionseparator.com FX: (419) 483-4382 NOT BIGGEST...BEST! e-mail: dmec@didionsmech.com	
DESIGN SPECIFICATIONS		DESCRIPTION: HORIZONTAL FLOW SEPARATOR MODEL#: DST-16-150	
DES. PRESS. 150 PSIG DES. TEMP. 500° F. FULL VACUUM YES CORR. ALL. 1/16" HYDRD. TEST 195 PSIG STRESS REL. NONE REQ'D RADIOGRAPH NONE REQ'D M.D.M.T -20° F. @ 150 PSIG		SALES DRAWING DRWN. JLD DATE: 11-30-17 APPR. DATE: CHK. DATE: APPR. DATE: SCALE: DRAWING NUMBER REV. SHEET D.M. NO. DST-16-150-SALES 0 NO. 1 P.O. NO. OF 1	
THIS DRAWING AND ALL INFORMATION ON IT IS THE PROPERTY OF DIDION'S MECHANICAL. IT IS CONFIDENTIAL AND IS LOANED TO YOU FOR A LIMITED PURPOSE AND MUST BE RETURNED ON REQUEST. NEITHER THIS DRAWING NOR ANY PART OF IT NOR ANY INFORMATION CONCERNING IT MAY BE COPIED, EXHIBITED OR FURNISHED TO OTHERS NOR MAY PHOTOGRAPHS BE TAKEN OF ANY ARTICLE FABRICATED OR ASSEMBLED FROM THIS DRAWING WITHOUT CONSENT OF DIDION'S MECHANICAL.			