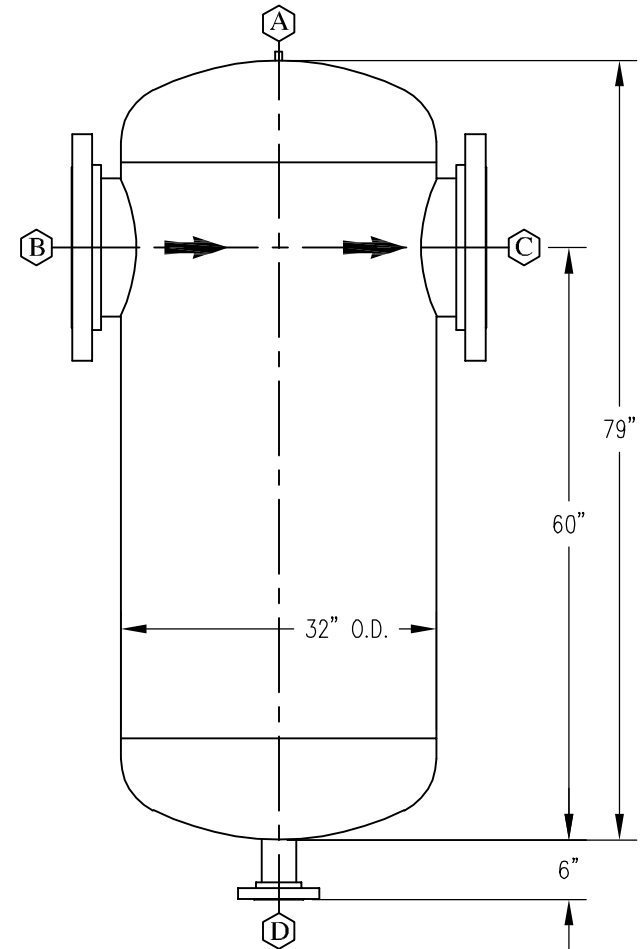


**TOP ORIENTATION VIEW**



**DIMENSIONAL VIEW**


NOZZLE SCHEDULE				
MARK	SIZE	SPEC	NOZ. TYPE	FUNCTION
A	1/4"	6000#	CPLG	VENT
B	14"	300#	R.F.S.O.	INLET
C	14"	300#	R.F.S.O.	OUTLET
D	3"	300#	R.F.S.O.	DRAIN

NOTE: 1. DESIGNED, FABRICATED, AND STAMPED IN ACCORDANCE WITH ASME CODE SECTION VIII, DIV. 1.

2. SEPERATORS AVAILABLE IN CARBON STEEL, 304 & 316 STAINLESS STEEL, OR OPTIONAL ALLOYS UPON REQUEST.

3. ALL DIMENSIONS ARE IN INCHES

REVISION: 0				
NO.	DESCRIPTION	BY DATE	NO.	DESCRIPTION

<b>CONSTRUCTION</b> A.S.M.E. SECTION VIII DIVISION I A.S.M.E. Ⓢ-U1 STAMP REQUIRED		<b>DIDION SEPARATOR COMPANY</b> A DIVISION OF  <b>DIDION'S MECHANICAL</b> <i>NOT BIGGEST...BEST!</i>			
		PH: (419) 483-2226 FX: (419) 483-4382		WEB: didionseparator.com e-mail: drmech@didionsmech.com	
<b>DESIGN SPECIFICATIONS</b>		DESCRIPTION: HORIZONTAL FLOW SEPARATOR			
DES. PRESS.	500 PSIG	MODEL#: DST-14-300			
DES. TEMP.	650° F.	SALES DRAWING			
FULL VACUUM	YES	DRWN. JLD	DATE: 11-30-16	APPR.	DATE:
CORR. ALL.	1/16"	CHK.	DATE:	APPR.	DATE:
HYDRO. TEST	650 PSIG	SCALE:	DRAWING NUMBER		REV.
STRESS REL.	NONE REQ'D	D.M. NO.	DST-14-300-SALES		0
RADIOGRAPH	NONE REQ'D	P.O. NO.			SHEET NO. 1 OF 1
M.D.M.T	-20° F. @ 500 PSIG	THIS DRAWING AND ALL INFORMATION ON IT IS THE PROPERTY OF DIDION'S MECHANICAL. IT IS CONFIDENTIAL AND IS GIVEN TO YOU FOR A LIMITED PURPOSE AND MUST BE RETURNED ON REQUEST. NEITHER THIS DRAWING NOR ANY PART OF IT NOR ANY INFORMATION CONCERNING IT MAY BE COPIED, EXHIBITED OR FURNISHED TO OTHERS NOR MAY PHOTOGRAPHS BE TAKEN OF ANY ARTICLE FABRICATED OR ASSEMBLED FROM THIS DRAWING WITHOUT CONSENT OF DIDION'S MECHANICAL.			