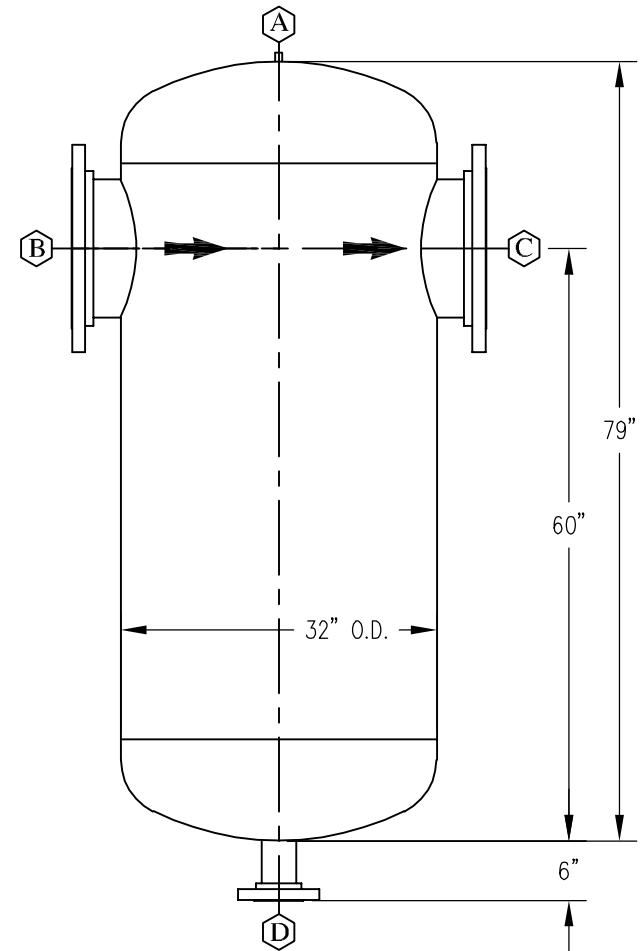


TOP ORIENTATION VIEW



DIMENSIONAL VIEW

NOZZLE SCHEDULE				
MARK	SIZE	SPEC	NOZ. TYPE	FUNCTION
A	1/4"	6000#	CPLG	VENT
B	14"	150#	R.F.S.O.	INLET
C	14"	150#	R.F.S.O.	OUTLET
D	3"	150#	R.F.S.O.	DRAIN


NOTE: 1. DESIGNED, FABRICATED, AND STAMPED IN ACCORDANCE WITH ASME CODE SECTION VIII, DIV. 1.

2. SEPERATORS AVAILABLE IN CARBON STEEL, 304 & 316 STAINLESS STEEL, OR OPTIONAL ALLOYS UPON REQUEST.

3. ALL DIMENSIONS ARE IN INCHES

4. APPROXIMATE WEIGHT 1,720 LBS

REVISION: 0				
NO.	DESCRIPTION	BY DATE	NO.	DESCRIPTION

CONSTRUCTION A.S.M.E. SECTION VIII DIVISION I A.S.M.E. Ⓢ-U1 STAMP REQUIRED		DIDION SEPARATOR COMPANY A DIVISION OF  DIDION'S MECHANICAL <i>NOT BIGGEST...BEST!</i>			PH: (419) 483-2226 FX: (419) 483-4382	WEB: didionseparator.com e-mail: drmech@didionsmech.com
DESCRIPTION: HORIZONTAL FLOW SEPARATOR						
MODEL#: DST-14-150						
SALES DRAWING						
DES. PRESS.	150 PSIG	DRWN. JLD	DATE: 11-30-16	APPR.	DATE:	
DES. TEMP.	500' F.	CHK.	DATE:	APPR.	DATE:	
FULL VACUUM	YES	SCALE:	DRAWING NUMBER		REV.	SHEET
CORR. ALL.	1/16"	D.M. NO.	DST-14-150-SALES		0	NO. 1
HYDRO. TEST	195 PSIG	P.O. NO.			OF 1	
STRESS REL.	NONE REQ'D	THIS DRAWING AND ALL INFORMATION ON IT IS THE PROPERTY OF DIDION'S MECHANICAL. IT IS CONFIDENTIAL AND IS GIVEN TO YOU FOR A LIMITED PURPOSE AND MUST BE RETURNED ON REQUEST. NEITHER THIS DRAWING NOR ANY PART OF IT NOR ANY INFORMATION CONCERNING IT MAY BY COPIED, EXHIBITED OR FURNISHED TO OTHERS NOR MAY PHOTOGRAPHS BE TAKEN OF ANY ARTICLE FABRICATED OR ASSEMBLED FROM THIS DRAWING WITHOUT CONSENT OF DIDION'S MECHANICAL				
RADIOGRAPH	NONE REQ'D					
M.D.M.T	-20' F. @ 150 PSIG					