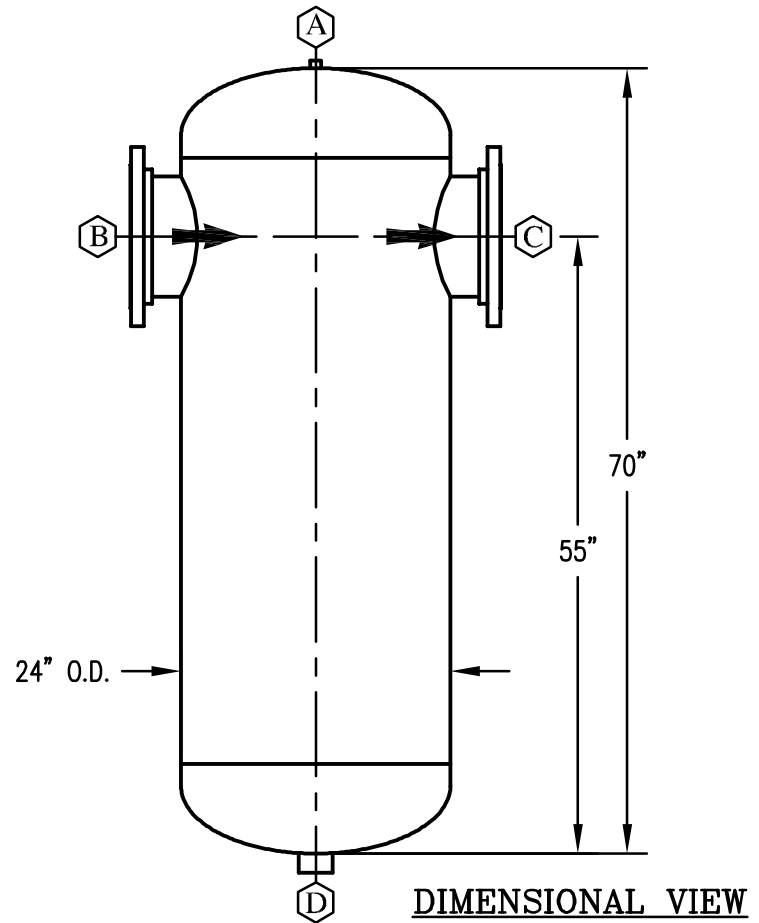


TOP ORIENTATION VIEW



DIMENSIONAL VIEW

NOZZLE SCHEDULE				
MARK	SIZE	SPEC	NOZ. TYPE	FUNCTION
A	1/4"	6000#	CPLG	VENT
B	10"	150#	R.F.S.O.	INLET
C	10"	150#	R.F.S.O.	OUTLET
D	2"	3000#	CPLG	DRAIN


NOTE: 1. DESIGNED, FABRICATED AND STAMPED IN ACCORDANCE WITH ASME CODE SECTION VIII, DIV. 1.

2. SEPARATORS AVAILABLE IN CARBON STEEL, 304 & 316 STAINLESS STEEL, OR OPTIONAL ALLOYS UPON REQUEST.

3. ALL DIMENSIONS ARE IN INCHES

4. APPROXIMATE WEIGHT 878 LBS

REVISION: 0			
NO.	DESCRIPTION	BY DATE	NO. DESCRIPTION

CONSTRUCTION A.S.M.E. SECTION VIII DIVISION I A.S.M.E. (U)-U1 STAMP REQUIRED		DIDION SEPARATOR COMPANY <small>A DIVISION OF</small>  DIDION'S MECHANICAL			
		PH: (419) 483-2226 FX: (419) 483-4382		WEB: didionseparator.com e-mail: dmech@didionmech.com	
DESIGN SPECIFICATIONS		DESCRIPTION: HORIZONTAL FLOW SEPARATOR MODEL#: DST-10-150			
DES. PRESS.	150 PSIG	SALES DRAWING			
DES. TEMP.	500° F.	DRWN. JLD	DATE: 04-15-10	APPR.	DATE:
FULL VACUUM	YES	CHK.	DATE:	APPR.	DATE:
CORR. ALL.	1/16"	SCALE:	DRAWING NUMBER		REV.
HYDRO. TEST	195 PSIG	D.M. NO.	DST-10-150-SALES		0
STRESS REL.	NONE REQ'D	P.O. NO.			
RADIOGRAPH	NONE REQ'D				
M.D.M.T	-20° F. @ 150 PSIG				
<small>THIS DRAWING AND ALL INFORMATION ON IT IS THE PROPERTY OF DIDION'S MECHANICAL. IT IS CONFIDENTIAL AND IS GIVEN TO YOU FOR A LIMITED PURPOSE AND MUST BE RETURNED ON REQUEST. NEITHER THIS DRAWING NOR ANY PART OF IT NOR ANY INFORMATION CONCERNING IT MAY BE COPIED, EXHIBITED OR FURNISHED TO OTHERS NOR MAY PHOTOGRAPHS BE TAKEN OF ANY ARTICLE FABRICATED OR ASSEMBLED FROM THIS DRAWING WITHOUT CONSENT OF DIDION'S MECHANICAL.</small>					