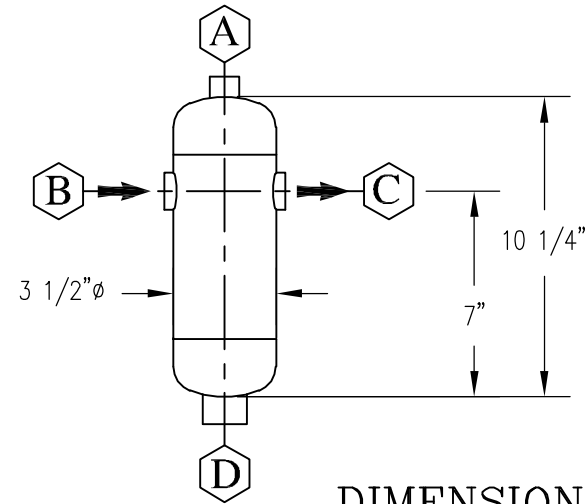


TOP ORIENTATION VIEW




DIMENSIONAL VIEW

NOZZLE SCHEDULE				
MARK	SIZE	SPEC	NOZ. TYPE	FUNCTION
A	1/4"	6000#	CPLG	VENT
B	3/8"	6000#	CPLG	INLET
C	3/8"	6000#	CPLG	OUTLET
D	1/2"	6000#	CPLG	DRAIN

- NOTE: 1. DESIGNED, FABRICATED AND STAMPED IN ACCORDANCE WITH ASME CODE SECTION VII, DIV. 1.
2. SEPARATORS AVAILABLE IN CARBON STEEL, 304 & 316 STAINLESS STEEL, OR OPTIONAL ALLOYS UPON REQUEST.
3. ALL DIMENSIONS ARE IN INCHES
4. WEIGHT (DRY) = 11 LBS.

REVISION: 0				
NO.	DESCRIPTION	BY DATE	NO.	DESCRIPTION

<p align="center"><b>CONSTRUCTION</b> A.S.M.E. SECTION VIII DIVISION I DO NOT STAMP</p>		<p><b>DIDION SEPARATOR COMPANY</b> A DIVISION OF</p>  <p><b>DIDION'S MECHANICAL</b> PH: (419) 483-2226 WEB: didionseparator.com  FX: (419) 483-4382 <b>NOT BIGGEST...BEST!</b> e-mail: dmech@didionsmech.com</p>			
		<p>DESCRIPTION: HORIZONTAL FLOW SEPARATOR  MODEL#: DST-.375-NPT</p>			
<p align="center"><b>DESIGN SPECIFICATIONS</b></p>		<p align="center"><b>SALES DRAWING</b></p>			
DES. PRESS.	1,250 PSIG	DRWN. JLD	DATE: 02/21/17	APPR.	DATE:
DES. TEMP.	650° F.	CHK.	DATE:	APPR.	DATE:
FULL VACUUM	YES	SCALE:	DRAWING NUMBER		REV.
CORR. ALL.	1/16"	D.M. NO.	DST-.375-NPT-SALES		0
HYDRO. TEST	1,625 PSIG	P.O. NO.	SHEET NO. 1 OF 1		
STRESS REL.	NONE REQ'D	THIS DRAWING AND ALL INFORMATION ON IT IS THE PROPERTY OF DIDION'S MECHANICAL. IT IS CONFIDENTIAL AND IS GIVEN TO YOU FOR A LIMITED PURPOSE AND MUST BE RETURNED ON REQUEST. NEITHER THIS DRAWING NOR ANY PART OF IT NOR ANY INFORMATION CONCERNING IT MAY BE COPIED, EXHIBITED OR FURNISHED TO OTHERS NOR MAY PHOTOGRAPHS BE TAKEN OF ANY ARTICLE FABRICATED OR ASSEMBLED FROM THIS DRAWING WITHOUT CONSENT OF DIDION'S MECHANICAL.			
RADIOGRAPH	NONE REQ'D				
M.D.M.T	-20° F. @ 1,250 PSIG				