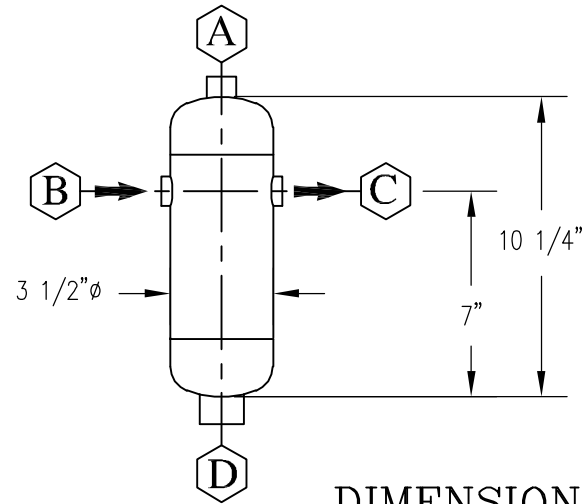


TOP ORIENTATION VIEW




DIMENSIONAL VIEW

| NOZZLE SCHEDULE |      |       |           |          |
|-----------------|------|-------|-----------|----------|
| MARK            | SIZE | SPEC  | NOZ. TYPE | FUNCTION |
| A               | 1/4" | 6000# | CPLG      | VENT     |
| B               | 1/4" | 6000# | CPLG      | INLET    |
| C               | 1/4" | 6000# | CPLG      | OUTLET   |
| D               | 1/2" | 6000# | CPLG      | DRAIN    |

- NOTE:
1. DESIGNED, FABRICATED AND STAMPED IN ACCORDANCE WITH ASME CODE SECTION VII, DIV. 1.
  2. SEPARATORS AVAILABLE IN CARBON STEEL, 304 & 316 STAINLESS STEEL, OR OPTIONAL ALLOYS UPON REQUEST.
  3. ALL DIMENSIONS ARE IN INCHES
  4. WEIGHT (DRY) = 11 LBS.

| REVISION: 0 |             |    |      |     |
|-------------|-------------|----|------|-----|
| NO.         | DESCRIPTION | BY | DATE | NO. |
|             |             |    |      |     |

|   |                      |   |                      |          |                   |       |  |       |       |
|---|----------------------|---|----------------------|----------|-------------------|-------|--|-------|-------|
| <p align="center"><b>CONSTRUCTION</b><br/>A.S.M.E. SECTION VIII DIVISION I<br/>DO NOT STAMP</p> |                      | <p><b>DIDION SEPARATOR COMPANY</b><br/>A DIVISION OF</p>  <p><b>DIDION'S MECHANICAL</b><br/><i>NOT BIGGEST...BEST!</i></p> |                      |          |                   |       |  |       |       |
|   |                      | <p>PH: (419) 483-2226      WEB: didionseparator.com<br/> FX: (419) 483-4382      e-mail: dmech@didionsmech.com</p>  |                      |          |                   |       |  |       |       |
| <p align="center"><b>DESIGN SPECIFICATIONS</b></p>  |                      | <p>DESCRIPTION: HORIZONTAL FLOW SEPARATOR<br/> MODEL#: DST-.25-NPT<br/> SALES DRAWING</p>   |                      |          |                   |       |  |       |       |
| DES. PRESS.   | 1,250 PSIG           | DRWN.   | JLD                  | DATE:    | 02/21/17          | APPR. |  | DATE: |       |
| DES. TEMP.  | 650° F.              | FULL VACUUM   | YES                  | CHK.     |                   | DATE: |  | APPR. |       |
| CORR. ALL.  | 1/16"                | CORR. ALL.  | 1/16"                | SCALE:   | DRAWING NUMBER    |       |  |       |       |
| HYDRO. TEST   | 1,625 PSIG           | HYDRO. TEST   | 1,625 PSIG           | D.M. NO. | DST-.25-NPT-SALES |       |  |       |       |
| STRESS REL.   | NONE REQ'D           | STRESS REL.   | NONE REQ'D           | P.O. NO. |                   |       |  |       |       |
| RADIOGRAPH  | NONE REQ'D           | RADIOGRAPH  | NONE REQ'D           |          |                   |       |  | REV.  | 0     |
| M.D.M.T   | -20° F. @ 1,250 PSIG | M.D.M.T   | -20° F. @ 1,250 PSIG |          |                   |       |  | SHEET | NO. 1 |
|   |                      |   |                      |          |                   |       |  | OF    | 1     |

THIS DRAWING AND ALL INFORMATION ON IT IS THE PROPERTY OF DIDION'S MECHANICAL. IT IS CONFIDENTIAL AND IS GIVEN TO YOU FOR A LIMITED PURPOSE AND MUST BE RETURNED ON REQUEST. NEITHER THIS DRAWING NOR ANY PART OF IT NOR ANY INFORMATION CONCERNING IT MAY BE COPIED, EXHIBITED OR FURNISHED TO OTHERS NOR MAY PHOTOGRAPHS BE TAKEN OF ANY ARTICLE FABRICATED OR ASSEMBLED FROM THIS DRAWING WITHOUT CONSENT OF DIDION'S MECHANICAL.